

Katrin Single System Towel Dispenser- Grey

953036

Outgoing

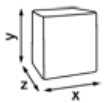
This product will be replaced by

- User-friendly and hygienic solution where a clean paper towel is dispensed touch-free with each use
- Very high capacity
- Zero wastage - every sheet on the roll is used
- Made from ABS Plastic (grey)
- Silent operation
- Inspection window shows when it is time to refill
- Simple to load, install and maintain
- Can be used with or without a key



ISO9001 ISO14001

Product / Consumer pack



x 340 mm
y 370 mm
z 230 mm

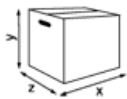


Light grey



2.83 kg

Transport pack



x 370 mm
y 253 mm
z 346 mm



1

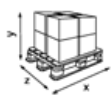


3.16 kg



6414300953036

Transport pallet



x 800 mm
y 1140 mm
z 1200 mm



24

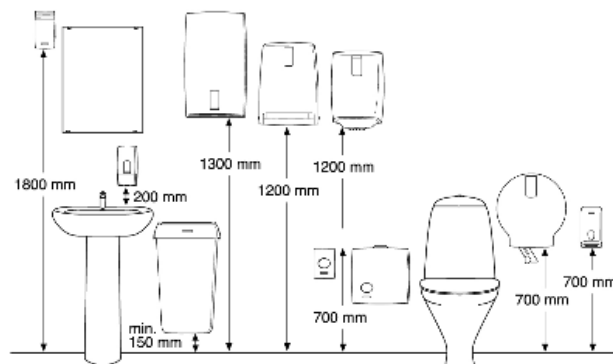
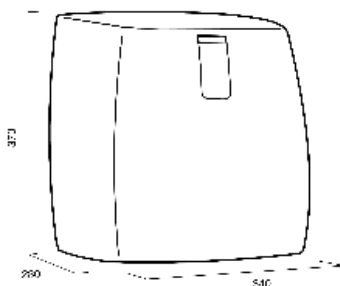


100.72 kg



6414307953039

Measurements and installing



Related products



460058
**Katrin Plus System
towel M2**



460102
**Katrin Classic
System towel M2**



460201
**Katrin Basic System
towel M**